

# TECHNICAL DATA SHEET

## MS™ FASTENER

### TECHNICAL DATA

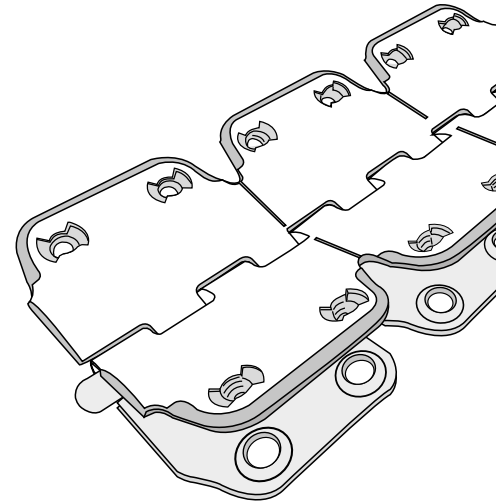
#### FASTENER

Manufactured in galvanized carbon or stainless steel\*.

Our fasteners are segmented for ease of breaking to your desired width

Fastener size	Belt thickness		mini pulley ø		Maximum operating tension of the belt		Maximum breakdown tension of the belt	
	mm	inch	mm	inch	N/mm	PIW	N/mm	PIW
MS™25	3.5 - 7.5	9/64 - 5/16	75	3	45	246	450	24.6
MS™35	4.5 - 10	5/32 - 3/8	90	3.5	63	360	630	36
MS™45	6 - 11	1/4 - 7/16	125	5	63	360	630	36
MS™55	9 - 15	23/64 - 19/32	250	10	100	571	1000	57.1
MS™65	10 - 18	3/8 - 23/32	450	18	125	714	1250	71.4

\*except the MS65



#### PINS

Fastener size	Final belt thickness		Type of pins	Pin diameter
	mm	inch		mm
MS™25	3.5 - 7.5	9/64 - 5/16	coated or flexible cable	4 - 4.6 - 5 (galvanized or stainless steel)
MS™35	4.5 - 10	5/32 - 3/8		5.1 - 5 rigid (galvanized or stainless steel)
MS™45	6 - 11	1/4 - 7/16		6.5 (stainless steel) 7 (galvanized)
MS™55	9 - 15	23/64 - 19/32		8
MS™65	10 - 18	3/8 - 23/32		10



For any support in the installation of our products or in the resolution of problems on your conveyor belt, benefit from our **HOTLINE service** in real time.

Registration on [www.mltgroup-conveyor.com/mlt-service](http://www.mltgroup-conveyor.com/mlt-service)

## SCREWS



Type	Final belt thickness		Screw Length
	mm	inch	mm
MS™25	3 - 7	1/8 - 9/64	4 x 10 and 4 x 12
MS™35	5 - 9	3/16 - 23/64	5 x 10 and 5 x 12
MS™45	7 - 11	9/64 - 7/16	5 x 12 and 5 x 14
MS™55	9 - 13	23/64 - 33/64	5 x 14 and 5 x 16
MS™65	12 - 16	15/32 - 5/8	5 x 18 and 5 x 20

Number of required screws for MS™ Fasteners																				
Belt width																				
	mm	inch	mm	inch	mm	inch	mm	inch	mm	inch	mm	inch	mm	inch	mm	inch	mm	inch	mm	inch
	300	12	500	18	600	24	650	30	800	36	1000	42	1200	48	1500	54	2000	72	3000	118
MS™25	48		60		96		104		132		164		196		248		322		492	
MS™35	28		48		56		60		76		96		116		148		200		300	
MS™45	20		36		44		48		60		76		92		116		160		240	
MS™55	36		66		78		84		108		138		162		210		282		426	
MS™65	56		88		104		112		144		184		224		280		376		568	

## PACKAGING

### According to your needs

#### AT THE UNIT\*

the kit contains

- 1 fastener at the length adapted to the width of your belt (300, 450, 500, 600, 650, 750, 800, 900, 1000, 1050, 1200, 1500, 2000, 3000),
- number of screws adapted to your fastener length and size,
- coated steel pin, adapted to your fastener length and size,
- PZ bit.

\*available for certain models of MS™ Fasteners: consult us

#### PER CASE OF 48 JUNCTIONS\*

the kit contains

- 48 fasteners at the length adapted to the width of your belt (300, 450, 500, 600, 650, 750, 800, 900, 1000, 1050, 1200, 1500, 2000, 3000),
- PZ bit,
- Pins and screws to be ordered separately.

Distributor logo

PATENTED PRODUCT  
MADE IN FRANCE

 **MLT GROUP**  
Conveyor Solutions Expert

www.mltgroup-conveyor.com - communication@mltgroup-conveyor.com