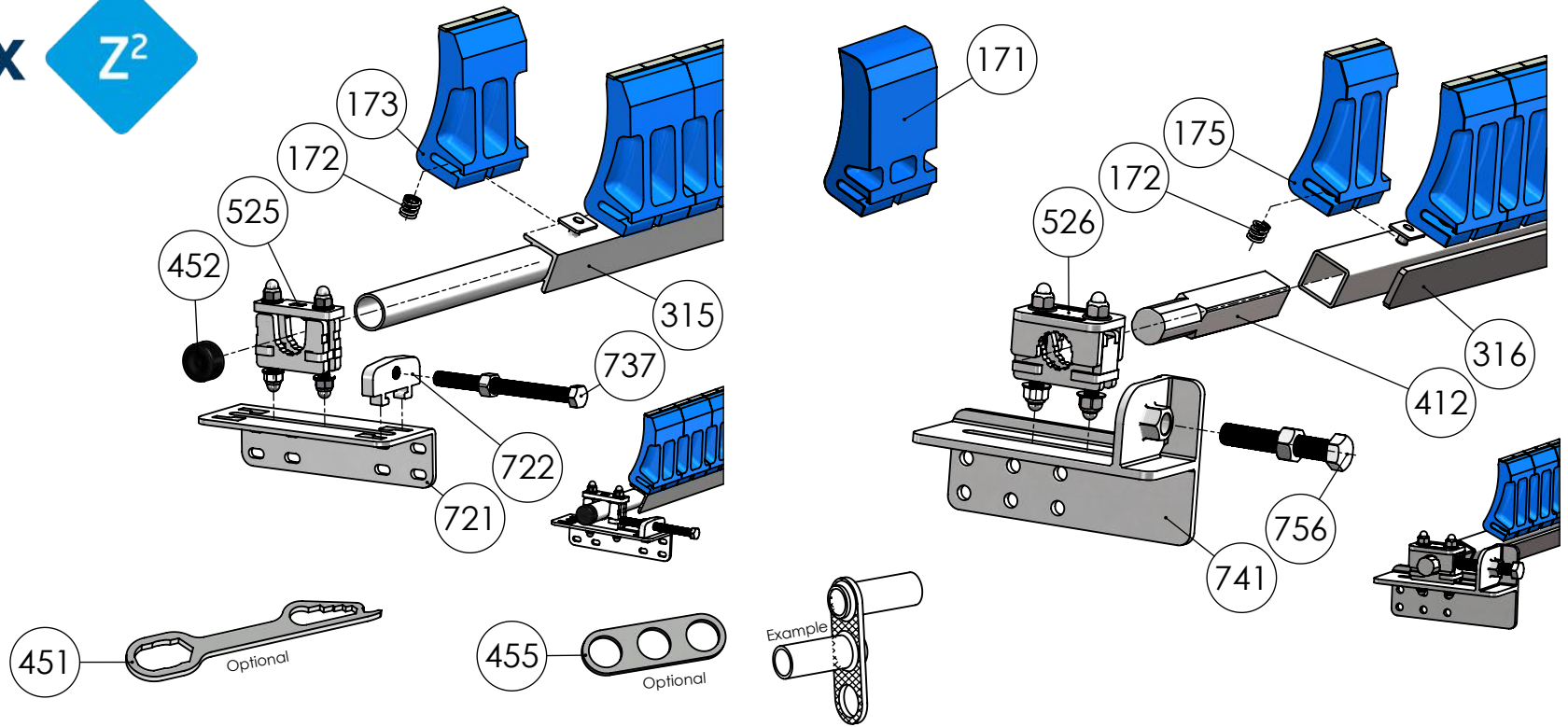


# RacloFlex



Spare parts  
200127 101 - EN



Dimensions in millimeter

N°	Designation	Laterality	Variant(s)	Quality	Belt	Bloc Qty 173	Structure 315/316 Length	Axle 412 Length	Bracket Size	Dimensions in millimeter	
										Left	Right
172	Spring Z			SST							
173	Blade Z² - Tungsten 3mm + Springs		171: PUR only 174: Tng.Impact	Tng3 + PUR	400 500 650	3 4 5	1400 1500 1650		721+525 721+525 721+525		
175	Blade Z² - Tungsten 5mm + Springs		171: PUR only 174: Tng.Impact	Tng5 + PUR	800 1001 1002	6 7 8	1800 2000 2000		721+525 721+525 721+525		
315	Structure Z²		335: SST	Galva.ST	1200	9	2200		721+525		
316	Structure Z² HD		336: SST	Galva.ST	1400	10	2400		721+525		
412	Axle 40x40		432: SST	Galva.ST	1402	11	2400		721+525		
451	Multitool wrench			Galva.ST	1401 HD 1402 HD	10 11	1600 1600	600 600	721+525 721+525		
452	Cap			PVC	1600 HD	12	1800	600	741+526		
455	Shift ring			Galva.ST	1801 HD 1802 HD	13 14	2000 2000	1000 1000	741+526 741+526		
525	Bearing QL - Medium		535: SST	Galva.ST	2001 HD	15	2200	1000	741+526		
526	Bearing QL - Large		536: SST	Galva.ST	2002 HD	16	2200	1000	741+526		
721	Angle Medium only		731: SST	Galva.ST							
722	Angle bridge Medium		732: SST	Galva.ST							
737	Pressure bolt Medium M16x190			SST							
741	Angle Large	L or R	751: SST	Galva.ST							
756	Pressure bolt Large M24x140			SST							

